

# LIGHTING

MBL SERIES



## COMPACT SIZE – ORDERING INFORMATION



### ORDERING INFORMATION

MBL SERIES PENDANT WITH OPTIC AND GUARD							
WATTS	HUB SIZE <sup>②</sup>	VOLTAGE <sup>③</sup>	GLOBE & GUARD	8" SPIN-TOP POLYCARBONATE FLAT LENS*	TYPE V GLASS REFRACTOR & GUARD	8" SPIN-TOP TYPE V REFRACTOR & GUARD	12" SPIN-TOP TYPE V REFRACTOR & GUARD
14	3/4"	120-277VAC	MBL1430A2GLG	MBL1430A2PFN	MBL1430A2R5G	MBL1430A2S8G	MBL1430A2S5G
17	3/4"	120-277VAC	MBL1730A2GLG	MBL1730A2PFN	MBL1730A2R5G	MBL1730A2S8G	MBL1730A2S5G
20	3/4"	120-277VAC	MBL2030A2GLG	MBL2030A2PFN	MBL2030A2R5G	MBL2030A2S8G	MBL2030A2S5G
22	3/4"	120-277VAC	MBL2230A2GLG	MBL2230A2PFN	MBL2230A2R5G	MBL2230A2S8G	MBL2230A2S5G
25	3/4"	120-277VAC	MBL2530A2GLG	MBL2530A2PFN	MBL2530A2R5G	MBL2530A2S8G	MBL2530A2S5G
40	3/4"	120-277VAC	MBL4030A2GLG	-	MBL4030A2R5G	MBL4030A2S8G	MBL4030A2S5G
45	3/4"	120-277VAC	MBL4530A2GLG	-	MBL4530A2R5G	MBL4530A2S8G	MBL4530A2S5G
50	3/4"	120-277VAC	MBL5030A2GLG	-	MBL5030A2R5G	MBL5030A2S8G	MBL5030A2S5G
MBL SERIES CEILING WITH OPTIC AND GUARD ①							
14	3/4"	120-277VAC	MBL1430X2GLG	MBL1430X2PFN	MBL1430X2R5G	MBL1430X2S8G	MBL1430X2S5G
17	3/4"	120-277VAC	MBL1730X2GLG	MBL1730X2PFN	MBL1730X2R5G	MBL1730X2S8G	MBL1730X2S5G
20	3/4"	120-277VAC	MBL2030X2GLG	MBL2030X2PFN	MBL2030X2R5G	MBL2030X2S8G	MBL2030X2S5G
22	3/4"	120-277VAC	MBL2230X2GLG	MBL2230X2PFN	MBL2230X2R5G	MBL2230X2S8G	MBL2230X2S5G
25	3/4"	120-277VAC	MBL2530X2GLG	MBL2530X2PFN	MBL2530X2R5G	MBL2530X2S8G	MBL2530X2S5G
40	3/4"	120-277VAC	MBL4030X2GLG	-	MBL4030X2R5G	MBL4030X2S8G	MBL4030X2S5G
45	3/4"	120-277VAC	MBL4530X2GLG	-	MBL4530X2R5G	MBL4530X2S8G	MBL4530X2S5G
50	3/4"	120-277VAC	MBL5030X2GLG	-	MBL5030X2R5G	MBL5030X2S8G	MBL5030X2S5G
MBL SERIES WALL WITH OPTIC AND GUARD ①							
14	3/4"	120-277VAC	MBL1430B2GLG	MBL1430B2PFN	MBL1430B2R5G	MBL1430B2S8G	MBL1430B2S5G
17	3/4"	120-277VAC	MBL1730B2GLG	MBL1730B2PFN	MBL1730B2R5G	MBL1730B2S8G	MBL1730B2S5G
20	3/4"	120-277VAC	MBL2030B2GLG	MBL2030B2PFN	MBL2030B2R5G	MBL2030B2S8G	MBL2030B2S5G
22	3/4"	120-277VAC	MBL2230B2GLG	MBL2230B2PFN	MBL2230B2R5G	MBL2230B2S8G	MBL2230B2S5G
25	3/4"	120-277VAC	MBL2530B2GLG	MBL2530B2PFN	MBL2530B2R5G	MBL2530B2S8G	MBL2530B2S5G
40	3/4"	120-277VAC	MBL4030B2GLG	-	MBL4030B2R5G	MBL4030B2S8G	MBL4030B2S5G
45	3/4"	120-277VAC	MBL4530B2GLG	-	MBL4530B2R5G	MBL4530B2S8G	MBL4530B2S5G
50	3/4"	120-277VAC	MBL5030B2GLG	-	MBL5030B2R5G	MBL5030B2S8G	MBL5030B2S5G
MBL SERIES 250 STANCHION WITH OPTIC AND GUARD ①							
14	1-1/4"④	120-277VAC	MBL1430D4GLG	MBL1430D4PFN	MBL1430D4R5G	MBL1430D4S8G	MBL1430D4S5G
17	1-1/4"④	120-277VAC	MBL1730D4GLG	MBL1730D4PFN	MBL1730D4R5G	MBL1730D4S8G	MBL1730D4S5G
20	1-1/4"④	120-277VAC	MBL2030D4GLG	MBL2030D4PFN	MBL2030D4R5G	MBL2030D4S8G	MBL2030D4S5G
22	1-1/4"④	120-277VAC	MBL2230D4GLG	MBL2230D4PFN	MBL2230D4R5G	MBL2230D4S8G	MBL2230D4S5G
25	1-1/4"④	120-277VAC	MBL2530D4GLG	MBL2530D4PFN	MBL2530D4R5G	MBL2530D4S8G	MBL2530D4S5G
40	1-1/4"④	120-277VAC	MBL4030D4GLG	-	MBL4030D4R5G	MBL4030D4S8G	MBL4030D4S5G
45	1-1/4"④	120-277VAC	MBL4530D4GLG	-	MBL4530D4R5G	MBL4530D4S8G	MBL4530D4S5G
50	1-1/4"④	120-277VAC	MBL5030D4GLG	-	MBL5030D4R5G	MBL5030D4S8G	MBL5030D4S5G

① Catalog numbers shown are with Guard; to omit guard change ending G to N; e.g. MBL2230A2GLN

② Catalog numbers shown are with 3/4" conduit openings; change "2" to "3" for 1" e.g. MBL2230A3GLG

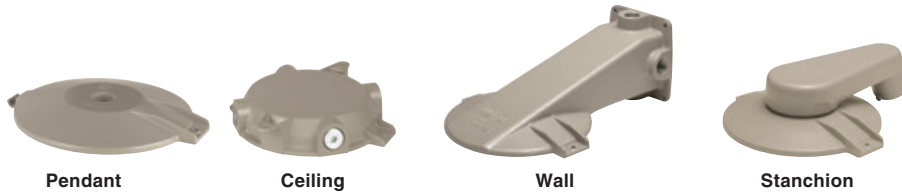
③ 120VAC through 277VAC 50/60Hz

④ Catalog numbers shown are with 1-1/4" conduit openings; change "4" to "5" for 1-1/2" e.g. MBL2230D5GLG

\* For Glass 8" Spin-top Flat Lens, change PFN to GFN at end of catalog number



COMPACT SIZE – COMPONENTS



MB MOUNTING BRACKETS				
CATALOG NUMBER				HUB SIZE
PENDANT	CEILING	WALL	STANCHION	
MBA-2	MBX-2	MBB-2	—	3/4"
MBA-3	MBX-3	MBB-3	—	1"
—	MBX-8*	—	—	M20
—	—	—	MBD-4	1-1/4"
—	—	—	MBD-5	1-1/2"

\* MBX-8 furnished with 3 non-metallic plugs



**NEW!**  
**NON-GLASS**  
FOOD SUITABILITY

**Non-Glass Polycarbonate  
8" Flat Lens or Spin-top**



MBL LED OPTICS AND ACCESSORIES		
DESCRIPTION	OPTIC LOGIC	GUARD
Globe (glass)	MBG (GL)	MBAG
Reflector (all glass) Type V	VMR175 (R5)	VMAG17
Reflector (spin top) 8" Type V	VZRG1550 (S8)	VMRWG8
Reflector (spin top) 12" Type V	VZRG2550 (S5)	VMRWGS
8" Spin-top flat lens (glass)Ⓞ	VZRGF8 (GF)	VZRF8GRD
8" Spin-top flat lens (polycarbonate)Ⓞ	VZRPF8 (PF)	VZRF8GRD
Reflector polycarbonate (spin -top) 12" Type V	VZRP175 (P5)	VMRWGS
Pathway ReflectorⓄ	VZRF8PR	NA
Reflector for MBG Globe - DOMEⓄ	VMPSD-17	NA
Reflector for MBG Globe - ANGLEⓄ	VMPA-17	NA
120VAC Photocell with FS Style Cover	VMFSPC1	NA
208-277VAC Photocell with FS Style Cover	VMFSPC2	NA
3-sided EXIT Accessory (use without guard)	VEXA100B	NA

Ⓞ 14-25W only

Ⓞ Reflectors for use with MBG/MBAG only; VMG17 globe with VMAG17 guard will fit without reflector.

# LIGHTING

MBL SERIES



## COMPACT SIZE – RATINGS, SPECIAL AIMING ANGLES

ORDERING INFORMATION AND AMBIENT SUITABILITY					C1D2 OPTIC ONLY		ABCD W/ REFLECTOR		C2D1 OPTIC ONLY		EFG W/REFLECTOR	
CATALOG NO.	WEIGHT LBS./KG	WATTS	VOLTAGE	AMPS	40°C	55°C	40°C	55°C	40°C	55°C	40°C	55°C
MBL1427	10.00 / 4.54	14	12-24VDC	1.17-0.58	T5	T4A	T4	T3B	T4A	T4A	T4A	T4A
MBL1430		14	120-250VDC	0.12-0.05								
MBL1727		17	12-24VDC	1.42-0.71	T5	T5	T5	T5	T4	T4	T4	T4
MBL1730		17	120-250VDC	0.14-0.06								
MBL2027		20	12-24VDC	1.67-0.83	T5	T5	T5	T5	T4	T4	T4	T4
MBL2030		20	120-250VDC	0.17-0.07								
MBL2227		22	12-24VDC	1.83-0.92	T4A	T4	T4A	T4	T4	T4	T4	T4
MBL2230		22	120-250VDC	0.18-0.08								
MBL2527		25	12-24VDC	2.08-1.04	T5	T5	T5	T5	T4	T4	T4	T4
MBL2530		25	120-250VDC	0.21-0.09								
MBL4027	15.5 / 7.03	40	12-24VDC	3.33-1.67	T5	-	T5	-	T4	-	T4	-
MBL4030		40	120-250VDC	0.33-0.14								
MBL4527		45	12-24VDC	3.75-1.88	T4A	-	T4A	-	T4	-	T4	-
MBL4530		45	120-250VDC	0.38-0.16								
MBL5027		50	12-24VDC	4.17-2.08	T5	-	T5	-	T4	-	T4	-
MBL5030		50	120-250VDC	0.42-0.18								

① Driver THD<20%, Powerfactor 99% @ 120V; Line Regulation 2%; Load regulation 5%; Protected against Over-voltage and Over-current.

② Weights are shown are MBL tank only.

③ TM-21 based values require very long duration testing. The TM-21/L70 "official reported" value is at least 10,000 hours testing (at time of printing) at 1000mA to 1500mA drive current, depending on LED chip utilized - "Reported L70" is a factor of test duration. KILLARK's MBL series utilizes lower 350mA or 700mA maximum drive current - "calculated" values by the major chip vendors utilized predict L70 life up to 278,000+ hours even at 1000mA.

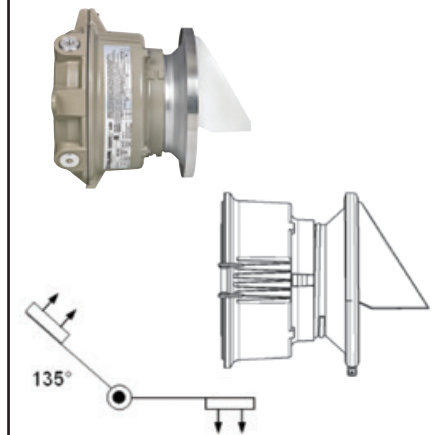
④ Use 75°C minimum supply wire @ 40°C; use 90°C supply wire @ 55°C.

WATTAGE	TOTAL LUMEN OUTPUT				
	MBL + MBG	MBL + VMR	MBL + VZRXF8	L70	
				TM-21 <sup>③</sup>	CALCULATED
14	910	800*	980*	60100	270000
17	1650	1485*	2040*	72600	278000
20	1785	1570*	2009*	60100	270000
22	1365	1201*	1427*	60100	270000
25	2485	2236*	3186*	72600	278000
40	3625	3821	-	60100	270000
45	2940	2955	-	60100	270000
50	5824*	6139	-	72600	278000

Extra high lumen per watt LED's

\* Values indicated are estimates; LM-79 Absolute Photometry testing is in progress.

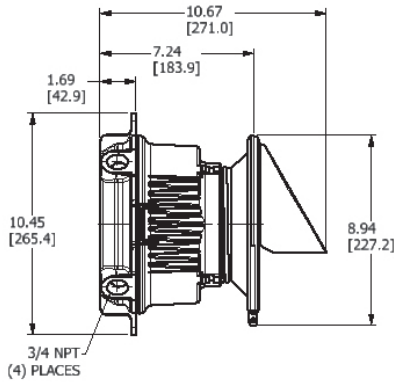
### Special Aiming Angles Wall Mount MBL with Pathway Reflector



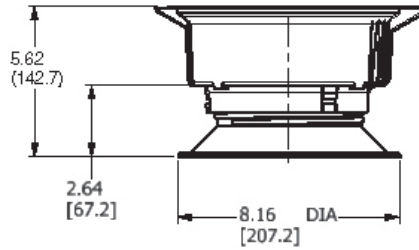
14W-25W MBL Housings with 8" Flat Spin-Top Lens may be aimed from 135° to 0° with or without the VZRF8PF Pathway Reflector. Pathway Reflector must NOT be aimed upwards in a Class II (Dust) environment, or where any contaminant may be collected. Applications include lighting dark spots around ceiling piping or pathways near handrails.



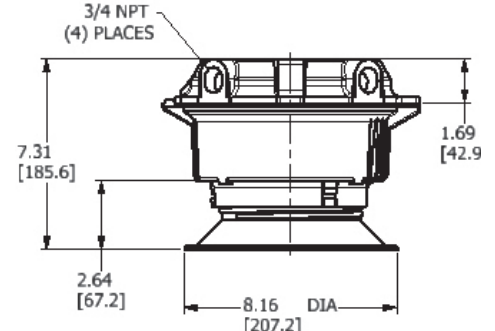
COMPACT SIZE – DIMENSIONS & WEIGHTS



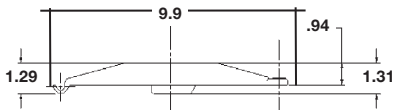
**MBL Flat Lens, Pathway Reflector Wall Mount**



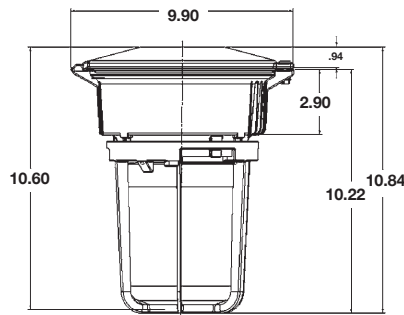
**MBL Tank with Flat Lens**



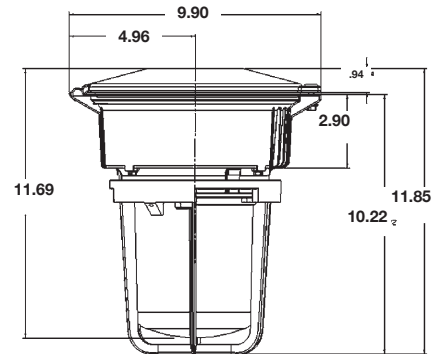
**MBL Flat Lens Ceiling Mount**



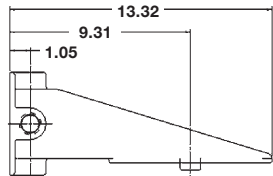
**MBA Pendant**



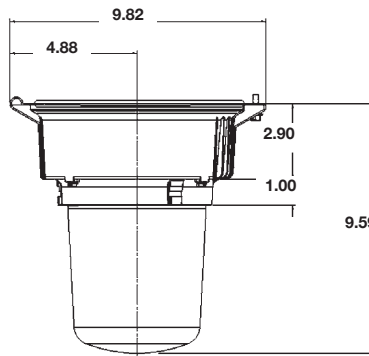
**MBL Pendant, Globe, Guard**



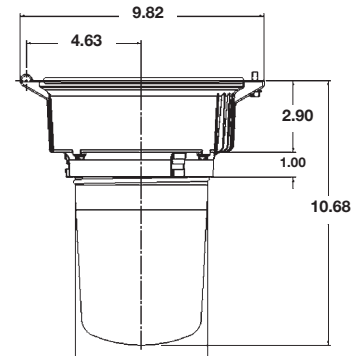
**MBL Pendant, Refractor, Guard**



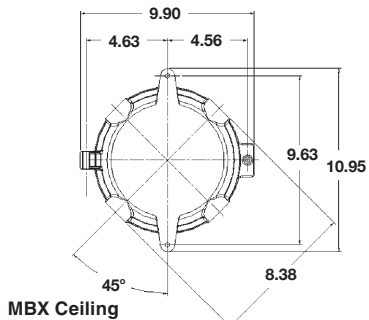
**MBB Wall Mount**



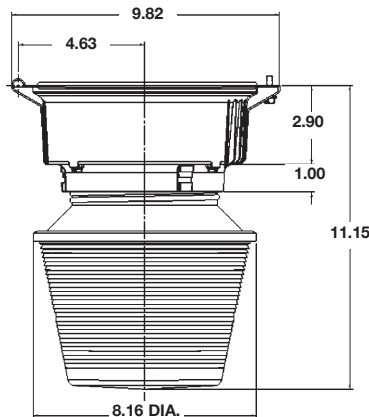
**MBL & MBG Globe Only**



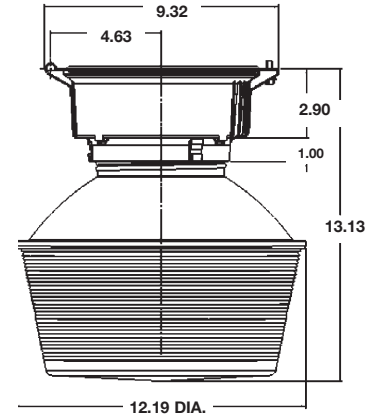
**MBL & VMR Refractor**



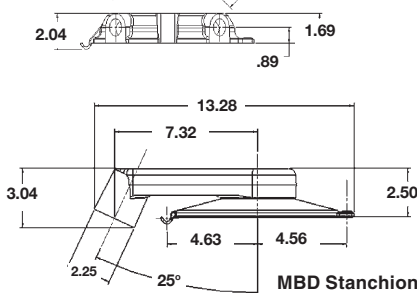
**MBX Ceiling**



**MBL & 8" Type V Spin-top**



**MBL & 12" Type V Spin-top**



**MBD Stanchion**

TYPICAL WEIGHTS (LBS.) W/STANDARD GLOBE AND GUARD - MBL SERIES			
14-25W	Pendant 14.96	Ceiling 15.96	Wall 19.30
40-50W	Pendant 20.96	Ceiling 21.69	Wall 25.30
			Stanchion 16.83
			Stanchion 22.83